



# JD ZYGOMA®

## A GRAFTLESS SOLUTION.

### Titanium Grade 4

Implant body  $\varnothing$  4.3 mm

### High primary stability for the Immediate function

Apply to your patients a temporary prosthesis immediately after the surgery. Thanks to the multicortical anchorage and the special design of the implant apex you will easily obtain an high primary stability.

Implant collar  $\varnothing$  4.5 mm

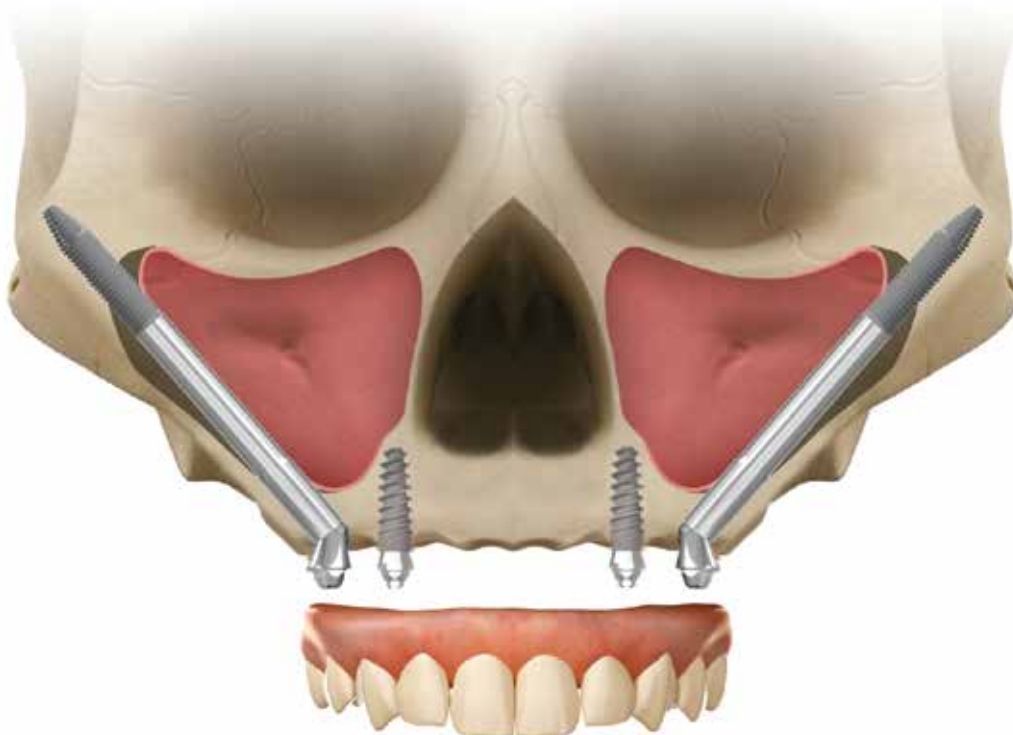
### Greater prosthetic and surgical flexibility

Take advantage of the advanced implant body design with a straight and polished neck with implant lengths from 30 mm to 52.5 mm and internal hexagonal connection compatible JDEvolution Plus®.

### A graftless treatment solution

Avoid complex bone grafting procedures with the new JDZygoma® implant. This advanced implant concept is designed for getting a perfect anchorage in the zygomatic bone.

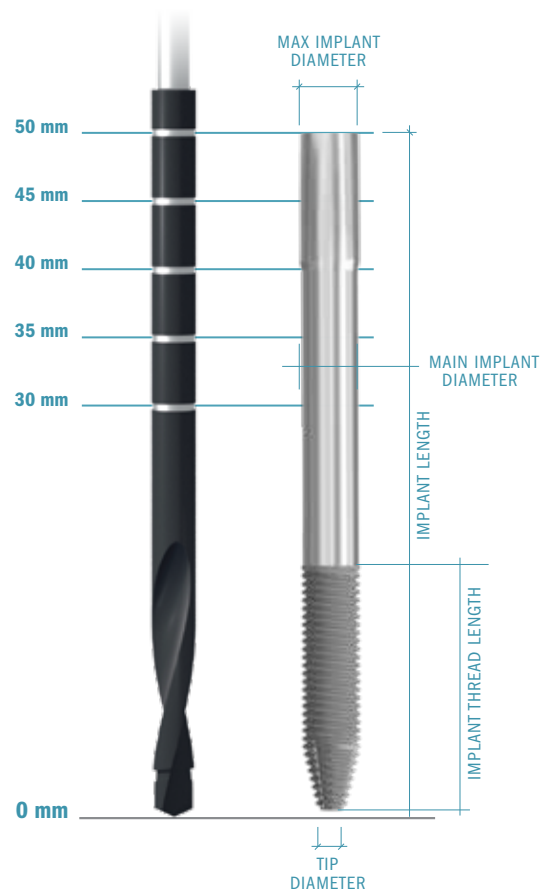
Tip Diameter 2.15 mm



## PRODUCT SPECIFICATIONS.

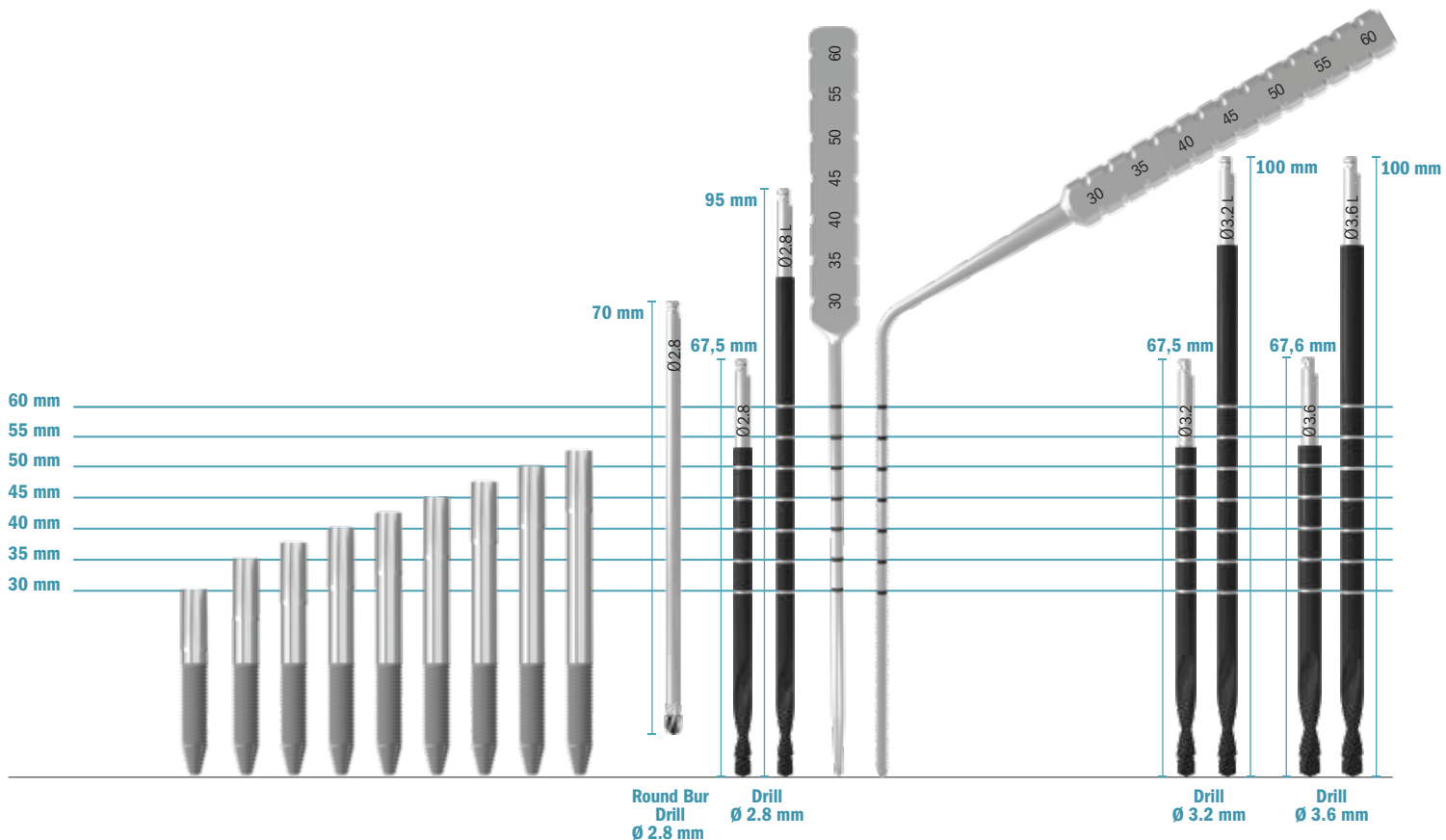
MAX IMPLANT DIAMETER	MAIN IMPLANT DIAMETER	TIP DIAMETER	IMPLANT THREAD LENGTH	IMPLANT LENGTH
Ø 4.5	Ø 4.3	2.15	18.0	30
				35
				37.5
				40
				42.5
				45
				47.5
				50
				52.5

**Note:**  
All dimensions are expressed in millimetres.



## SITE PREPARATION SEQUENCE.

Make entrance mark with the round bur drill and continue with the drill Ø 2.8 mm until it penetrates the outer cortical layer of the zygomatic bone. Continue with the drill Ø 3.2 mm and if the bone is hard, complete the osteotomy with the drill Ø 3.6 mm.



## PRODUCT CATALOGUE.

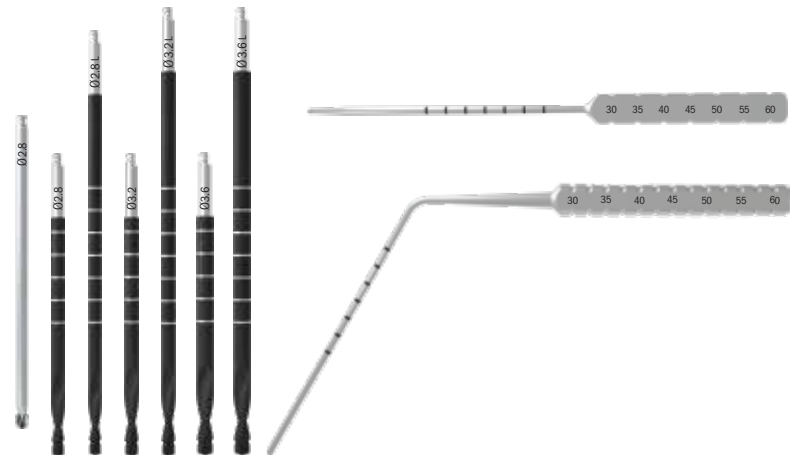
### Implants:

ZY43300:	JDZygoma® Ø 4.3 L 30
ZY43350:	JDZygoma® Ø 4.3 L 35
ZY43375:	JDZygoma® Ø 4.3 L 37.5
ZY43400:	JDZygoma® Ø 4.3 L 40
ZY43425:	JDZygoma® Ø 4.3 L 42.5
ZY43450:	JDZygoma® Ø 4.3 L 45
ZY43475:	JDZygoma® Ø 4.3 L 47.5
ZY43500:	JDZygoma® Ø 4.3 L 50
ZY43525:	JDZygoma® Ø 4.3 L 52.5



### Drills and Depth probe:

JDDRZSF28	Round Bur drill Ø 2.8 JDZygoma®
ZJDDR28	Drill Ø 2.8 JDZygoma®
ZJDDR28L	Long Drill Ø 2.8 JDZygoma®
ZJDDR32	Drill Ø 3.2 JDZygoma®
ZJDDR32L	Long Drill Ø 3.2 JDZygoma®
ZJDDR36	Drill Ø 3.6 JDZygoma®
ZJDDR36L	Long Drill Ø 3.6 JDZygoma®
JDZPRS	60mm straight depth probe JDZygoma®
JDZPR	60mm depth probe JDZygoma®



### Conical Abutment:

EVCA4545C:	45° angulated Conical Abutment H 4.5 JDEvolution®Plus+
EVCA6050C:	60° angulated Conical Abutment H 5.0 JDEvolution®Plus+
EVCAPS:	Prosthetic screw Conical Abutment JDEvolution®Plus+
EVCASA:	Screw for angulated Conical Abutment JDEvolution®Plus+
EVCAPSA	Prosthetic screw angulated for Conical Abutment
EVCAICOTC:	Impression coping open tray Conical Abutment JDEvolution®Plus+
EVCAICCTC	Impression coping closed tray Conical Abutment
EVCAHCL:	Healing cap Conical Abutment H 6.0 JDEvolution®Plus+
EVCAHC:	Healing cap Conical Abutment H 3.5 JDEvolution®Plus+
EVCAHCB:	Healing cap peek Conical Abutment H 3.5 JDEvolution®Plus+
EVCAGPAEC:	GP engaging Conical Abutment JDEvolution®Plus+
EVCAGPANEC:	GP non engaging Conical Abutment JDEvolution®Plus+
EVCATANEC:	Temporary cylinder non engaging Conical Abutment JDEvolution®Plus+
EVCATANEWC:	Temporary cylinder non engaging for welding Conical Abutment JDEvolution®Plus+
EVCAWANEC:	Wax up cylinder non engaging Conical Abutment JDEvolution®Plus+
EVCAAR	Abutment replica Conical Abutment

Torque recommended 30 Ncm



Torque recommended 15 Ncm



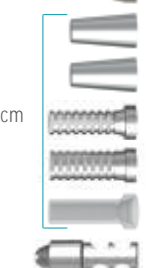
Torque recommended 30 Ncm



Torque recommended 15 Ncm

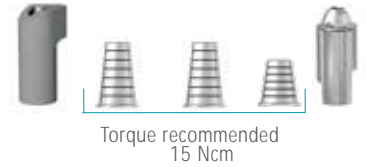


Torque recommended 15 Ncm



## JDScanBody, Interface and Abutment Replica CAD CAM for Conical abutment:

EVCASBCEC:	JDScanBody for Conical Abutment JDEvolution®Plus+
EVCAITEC:	Interface CAD CAM engaging for Conical Abutment H 7.5
EVCAITC:	Interface CAD CAM for Conical Abutment H 7.5
EVCAITBC:	Interface CAD CAM for Conical Abutment H 5.0
EVCAARC:	Abutment Replica CAD CAM for Conical Abutment



## Healing Abutment:

EVHA43:	Healing Abutment Ø 4.0 H 3.0 JDEvolution®Plus+
EVHA45:	Healing Abutment Ø 4.0 H 5.0 JDEvolution®Plus+
EVHA47:	Healing Abutment Ø 4.0 H 7.0 JDEvolution® Plus+
EVHA53:	Healing Abutment Ø 5.0 H 3.0 JDEvolution®Plus+
EVHA55:	Healing Abutment Ø 5.0 H 5.0 JDEvolution®Plus+
EVHA57:	Healing Abutment Ø 5.0 H 7.0 JDEvolution® Plus+



## Implant and prosthetic drivers:

EVID:	Implant driver JDEvolution®Plus+
EVIDL:	Implant driver long JDEvolution®Plus+
EVSDPF15:	Screwdriver hex 1.27 for torque wrench L15 JDEvolution®Plus+
EVSDPF20:	Screwdriver hex 1.27 for torque wrench L20 JDEvolution®Plus+
EVSDPF25:	Screwdriver hex 1.27 for torque wrench L25 JDEvolution®Plus+
EVSDPF35:	Screwdriver hex 1.27 for torque wrench L35 JDEvolution®Plus+
EVSDCAF	Screwdriver torque wrench Conical Abutment
EVSDP20:	Screwdriver hex 1.27 machine prosthetic L20 JDEvolution®Plus+
EVSDP25:	Screwdriver hex 1.27 machine prosthetic L25 JDEvolution®Plus+
EVSDP30:	Screwdriver hex 1.27 machine prosthetic L30 JDEvolution®Plus+
EVSDCA	Screwdriver machine Conical Abutment
EVSDPF25A	Screwdriver screw angulated for torque wrench L25
EVSDPF30A	Screwdriver screw angulated for torque wrench L30
EVSUD	JD Surgical Driver



## JD Zygoma Surgical Kit:

ZSKIT	JD Zygoma Surgical Kit
-------	------------------------

## Prosthetic Solutions:

JDZygoma® connection is compatible with JDEvolution® Plus+, so please refer to this catalog for choosing the correct prosthetic piece.



**JDENTALCARE**

[www.jdentalcare.com](http://www.jdentalcare.com)